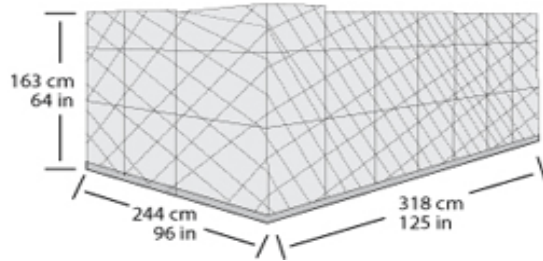


LD7



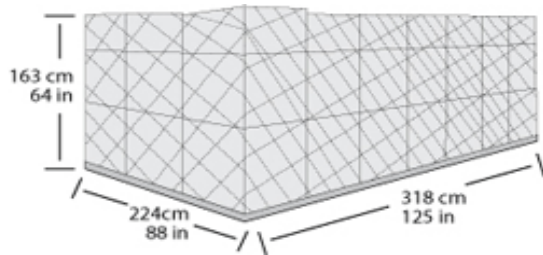
Usable Dimensions:

- L - 307 cm (121 in)
- W - 234 cm (92 in)
- H - 160 cm (63 in)

96 Lower Deck Contour Pallet With Net (PMC Series)

Rate Classification	5
Max. Net Weight	4,978kg (10,975 lb)
Tare Weight	120 kg (265 lb)
Max. Gross Weight	5,098 kg (11.239 lb)
Approx. Internal Volume	11.70 m ³ (415 ft ³)
Floor Loading Limit	1,465 kg/m ² (300 lb/ft ²)
Compatible Aircraft	B767-300
	A330
	B777-300
	B777-200

LD7 - 88



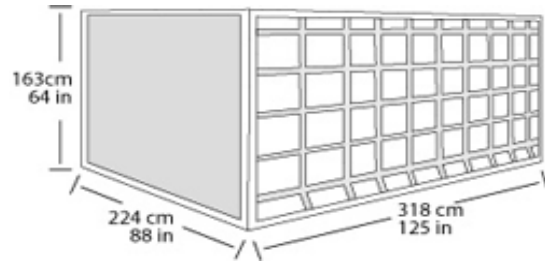
Usable Dimensions:

- L - 307 cm (121 in)
- W - 208 cm (82 in)
- H - 160 cm (63 in)

88 Lower Deck Contour Pallet With Net (PAP, PAG Series)

Rate Classification	5
Max. Net Weight	4,490 kg (9,000 lb)
Tare Weight	110 kg (243 lb)
Max. Gross Weight	4,600 kg (10,141 lb)
Approx. Internal Volume	10.76 m ³ (380 ft ³)
Floor Loading Limit	1,465 kg/m ² (300 lb/ft ²)
Compatible Aircraft	B767-300
	A330
	B777-300
	B777-200

LD9

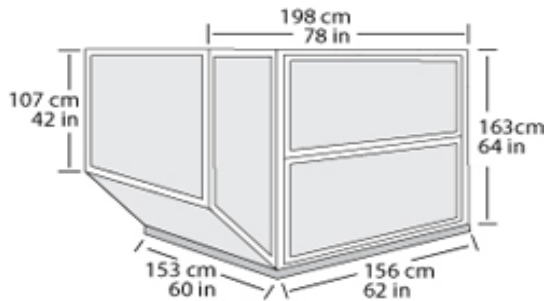


Door Size:
 W - 292 cm (115 in)
 H - 142 cm (56 in)
 Container depth:
 208 cm (82 in)

LD9 Full Size Lower Deck Container (AA2, AAP Series)

Rate Classification	5
Max. Net Weight	4,898 kg (10,800 lb)
Tare Weight	200 kg (440 lb)
Max. Gross Weight	5,098 kg (11,239 lb)
Approx. Internal Volume	10.6 m3 (374 ft3)
Floor Loading Limit	1,465 kg/m2 (300 lb/ft2)
Compatible Aircraft	B767-300 A330 B777-300 B777-200

LD3

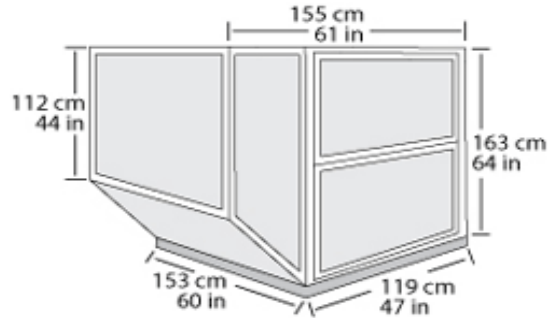


Door Size:
 W - 140 cm (55 in)
 H - 150 cm (59 in)
 Container depth:
 142 cm (56 in)

LD3 Half Size Lower Deck Container (AVE, AVN, AKE, AKN Series)

Rate Classification	8
Max. Net Weight	1,526 kg (3,364 lb)
Tare Weight	62 kg (137 lb)
Max. Gross Weight	1,588 kg (3,500 lb)
Approx. Internal Volume	4.13 m3 (146 ft3)
Floor Loading Limit	977 kg/m2 (200 lb/ft2)
Compatible Aircraft	A330 B777-300 B777-200

LD2



Door Size:

W- 106.5 cm (42 in)

H - 150 cm (59 in)

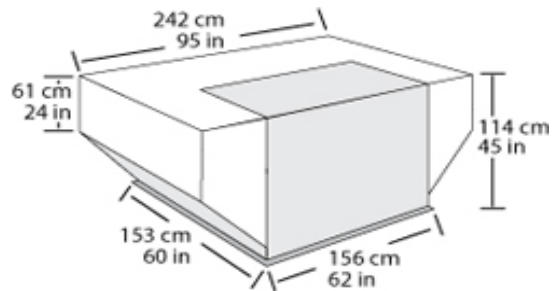
Container depth:

142 cm (56 in)

LD2 Half Size Lower Deck Container (DPN, DPE Series)

Rate Classification	8D
Max. Net Weight	1,150 kg (2,535 lb)
Tare Weight	75 kg (165 lb)
Max. Gross Weight	1,225 kg (2,700 lb)
Approx. Internal Volume	3.4 m ³ (120 ft ³)
Floor Loading Limit	977 kg/m ² (200 lb/ft ²)
Compatible Aircraft	B767-300

LD 3-45



Door Size:

W - 132 cm (52 in)

H - 109 cm (43 in)

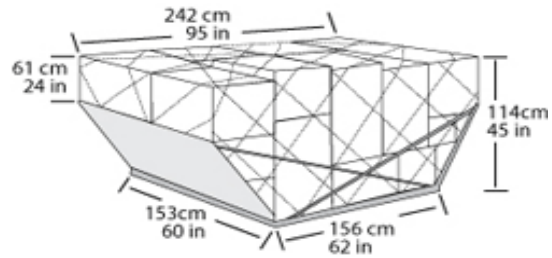
Container depth:

142 cm (56 in)

LD3-45 Lower Deck Container (AKG, AKH Series)

Rate Classification	8A
Max. Net Weight	1,045 kg (2,300 lb)
Tare Weight	90 kg (200 lb)
Max. Gross Weight	1,135 kg (2,500 lb)
Approx. Internal Volume	3.68 m ³ (130 ft ³)
Floor Loading Limit	977 kg/m ² (200 lb/ft ²)
Compatible Aircraft	A320 A321

LD 3-45 wing



Usable Dimensions:

L - 152 cm (60 in)

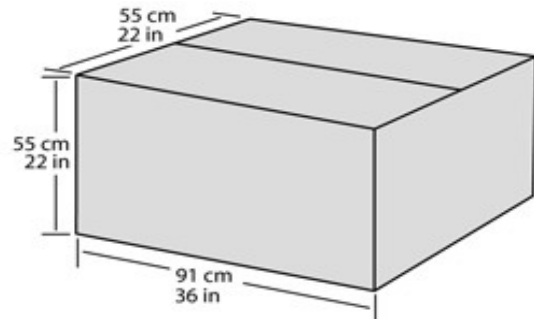
W - 147 cm (58 in)

H - 112 cm (44 in)

LD3-45 Wing Pallet With Net (PKC Series)

Rate Classification	8A
Max. Net Weight	1,061 kg (2,337 lb)
Tare Weight	74 kg (163 lb)
Max. Gross Weight	1,135 kg (2,500 lb)
Approx. Internal Volume	3.68 m3 (130 ft3)
Floor Loading Limit	977 kg/m2 (200 lb/ft2)
Compatible Aircraft	A320 A321

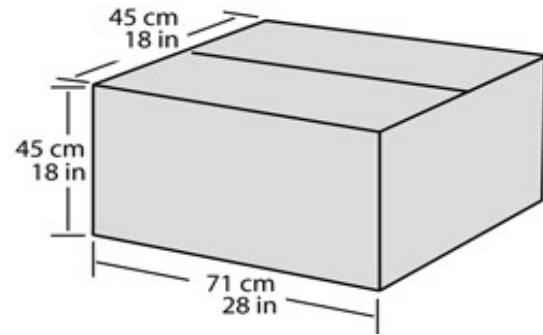
EH



Bulk shipper owned non-aircraft container for all aircraft types

Rate Classification	EH
Tare Weight	May vary depending on manufacturer
Maximum Gross Weight	113 kg (249 lb)
Approx. Internal Volume	0.28 m3 (10 ft3)

EO



Bulk shipper owned non-aircraft container for all aircraft types

Rate Classification	EO
Tare Weight	May vary depending on manufacturer
Maximum Gross Weight	68 kg (150 lb)
Approx. Internal Volume	0.14 m ³ (5.25 ft ³)